

Guide a sfera per cassettei 17 mm
Ballbearing slides 17 mm

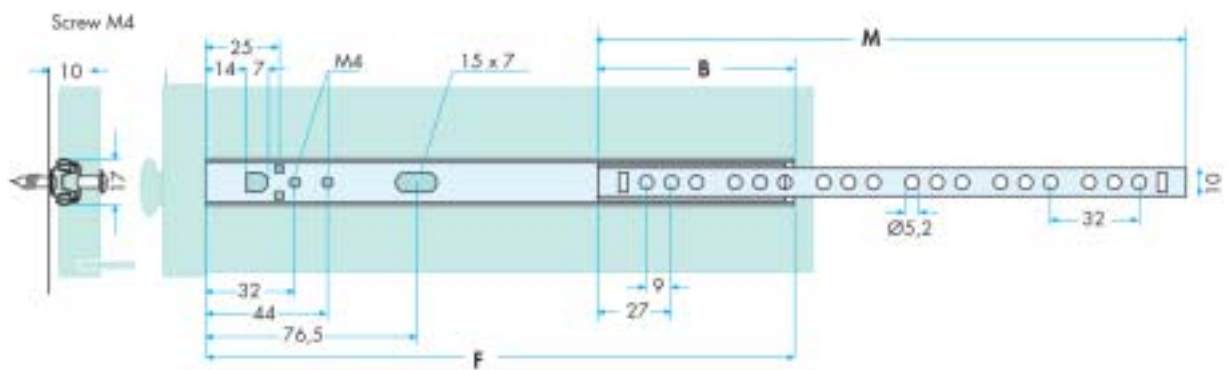


MG



Guide a sfera per cassettei 17 mm

Ballbearing slides 17 mm



MG 214/246/310

F	M	B	Cassetto
214	214	75	214-350
246	246	75	246-410
310	310	94	310-540

Tassello multifunzionale per
arresto, freno e supporto.

*Loose piece withstopping,
breaking and bearing.*



Guide a sfera per cassettei 17 mm
Ballbearing slides 17 mm

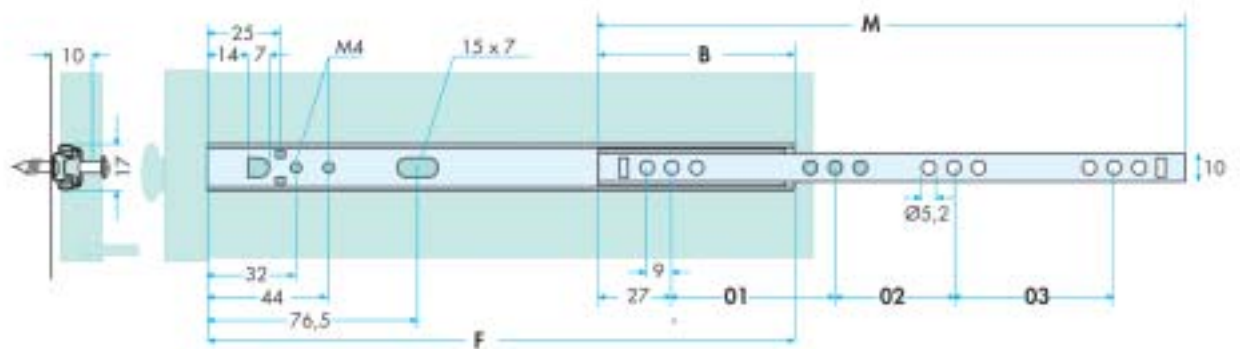


MG



Guide a sfera per cassettei 17 mm

Ballbearing slides 17 mm



MG 182/ 278/342/374/430

F	M	B	01	02	03	Cassetto
182	182	56	64	-	64	182-200
278	278	75	64	96	64	278-470
342	342	94	96	96	96	342-590
374	374	94	96	128	96	374-650
430	278	94	64	96	64	430

Tassello multifunzionale per
arresto, freno e supporto.

*Loose piece withstopping,
breaking and bearing.*



Guide a sfera per cassettei 17 mm
Ballbearing slides 17 mm



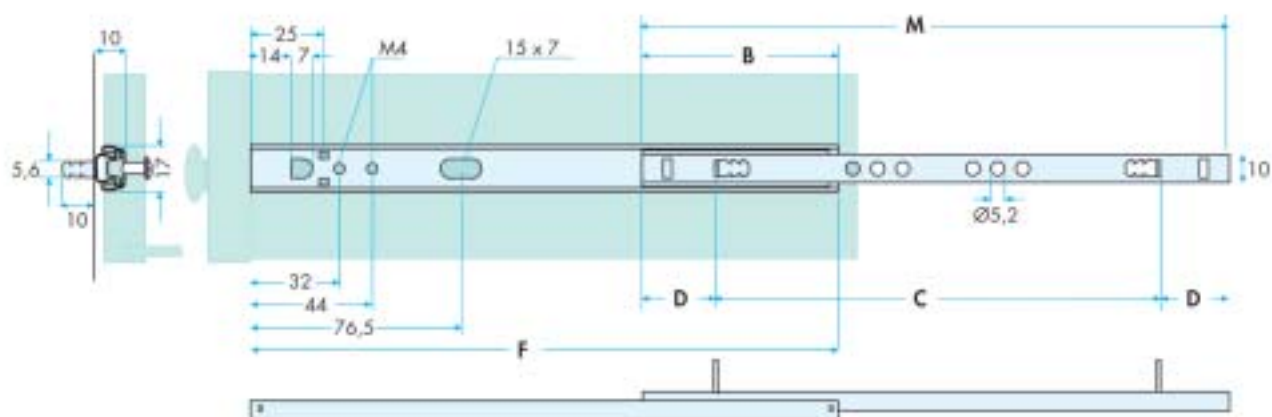
MG



Metallo • *Metal*

Guide a sfera per cassettei 17 mm

Ballbearing slides 17 mm



Versione con perni per fori \varnothing 5 mm - Version with cut pins for \varnothing 5 mm holes

MG 182/ 214/246/278/310/342/374

F	M	B	D	C	Cassetto
182	182	56	27(18/36)	128	182-200
214	214	75	27(18/36)	160	214-350
246	246	75	27(18/36)	192	246-410
278	278	75	27(18/36)	224	278-470
310	310	94	27(18/36)	256	310-540
342	342	94	27(18/36)	288	342-590
374	374	94	27(18/36)	320	374-650

Tassello multifunzionale per
arresto, freno e supporto.

Loose piece withstopping,
breaking and bearing.

